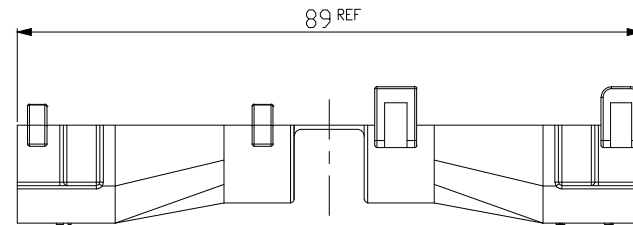
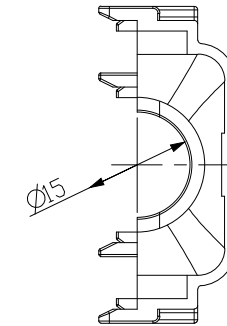
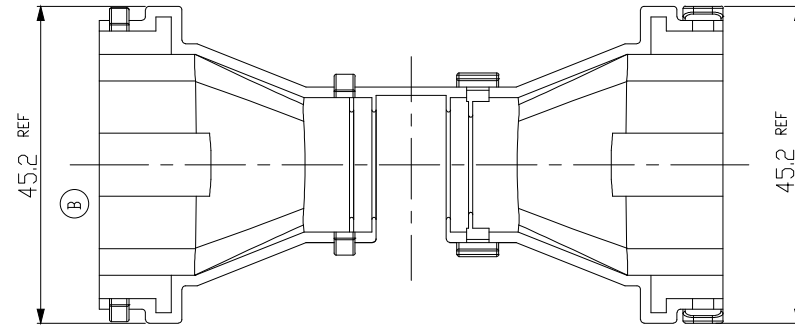
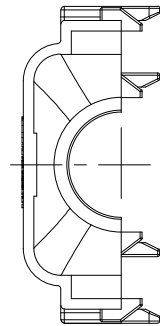
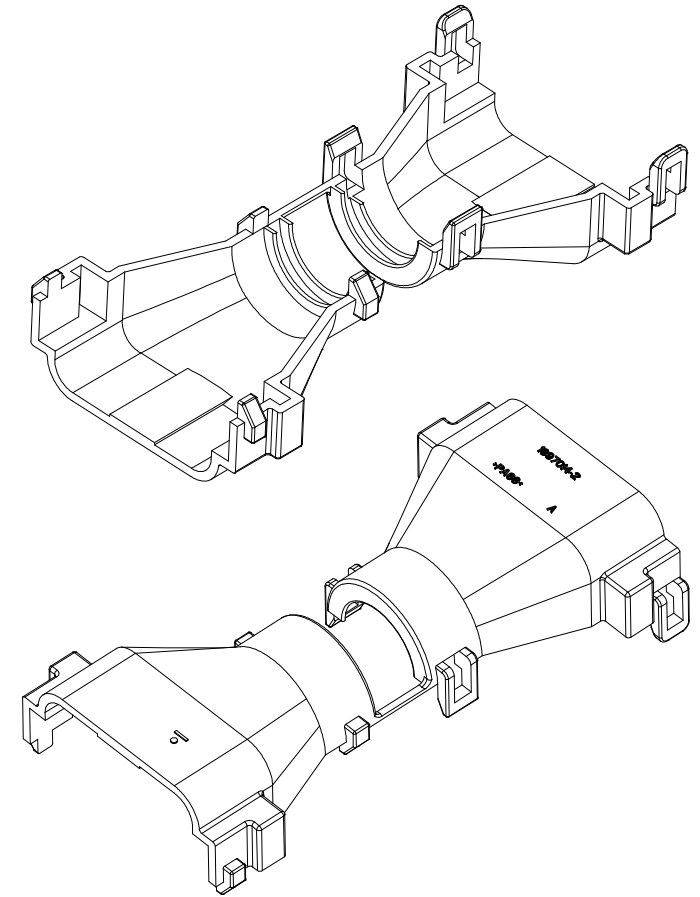
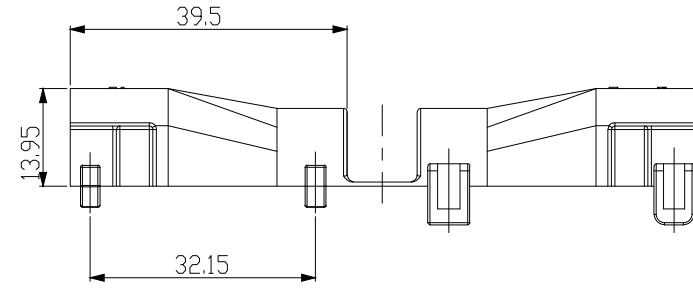
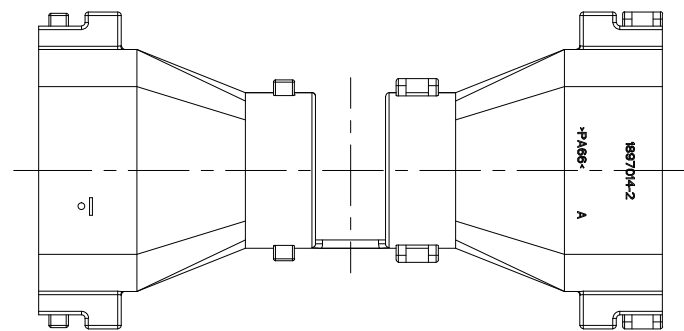


THIS DRAWING IS UNPUBLISHED. RELEASED FOR PUBLICATION
 © COPYRIGHT 20 BY - TE Connectivity ALL RIGHTS RESERVED.


REVISIONS				
P	LTR	DESCRIPTION	DATE	DWN APVD
	B1	REVISED (ECR-16-015632)	04.NOV.16	SJ JW



NOTE
 1. GENERAL TOLERANCE: ±0.3
 2. APPLICABLE CONNECTOR: X-1897009-X
 3. APPLICABLE CORRUGATE TUBE: Ø14mm
 4. APPLICATION TEST SPEC: MS210-06C (EXCEPT 4.4)



BLACK	PA66	1897014-2
COLOR	MATERIAL	P/N

THIS DRAWING IS A CONTROLLED DOCUMENT.		DWN SJ CHOI	 TE Connectivity		
DIMENSIONS: mm		CHK SJ CHOI			
TOLERANCES UNLESS OTHERWISE SPECIFIED:		APVD JW JUNG	NAME PLUG WIRE COVER FOR MTII/JPT SEALED 26P PLUG ASS'Y		
0 PLC ± 1 PLC ± 2 PLC ± 3 PLC ± 4 PLC ± ANGLES ± FINISH ±		PRODUCT SPEC	RESTRICTED TO -		
MATERIAL SEE TABLE		APPLICATION SPEC	SIZE A3	CAGE CODE 00779	DRAWING NO C-1897014
		WEIGHT	SCALE 1:1		SHEET 1 OF 1
		CUSTOMER DRAWING	REV B1		

Mouser Electronics

Authorized Distributor

Click to View Pricing, Inventory, Delivery & Lifecycle Information:

[TE Connectivity:](#)

[1897014-2](#)